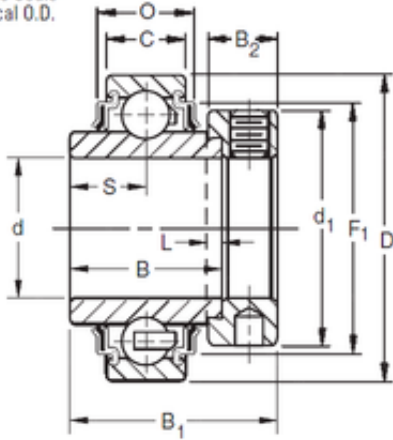




# Shandong Jingyuan Bearing Co., Ltd

KRR Two Seals  
Cylindrical O.D.



## 12,7 mm x 40 mm x 27,78 mm TIMKEN 1008KRR Insert Bearings Cylindrical OD

Bearing No. 1008KRR

Size	12.7x40x27.78 mm
Bore Diameter	12,7 mm
Outer Diameter	40 mm
Width	27,78 mm
d	12,7 mm
D	40 mm
B	27,78 mm
C	12 mm
P	14,27 mm
O	16,56 mm
d1	28,6 mm
B1	37,3 mm
B2	13,5 mm
L	4 mm
S	13,9 mm
F1	34,01 mm
Weight	0,154 Kg
Basic dynamic load rating (C)	10,7 kN

1008KRR Bearing 2D drawings and 3D CAD models